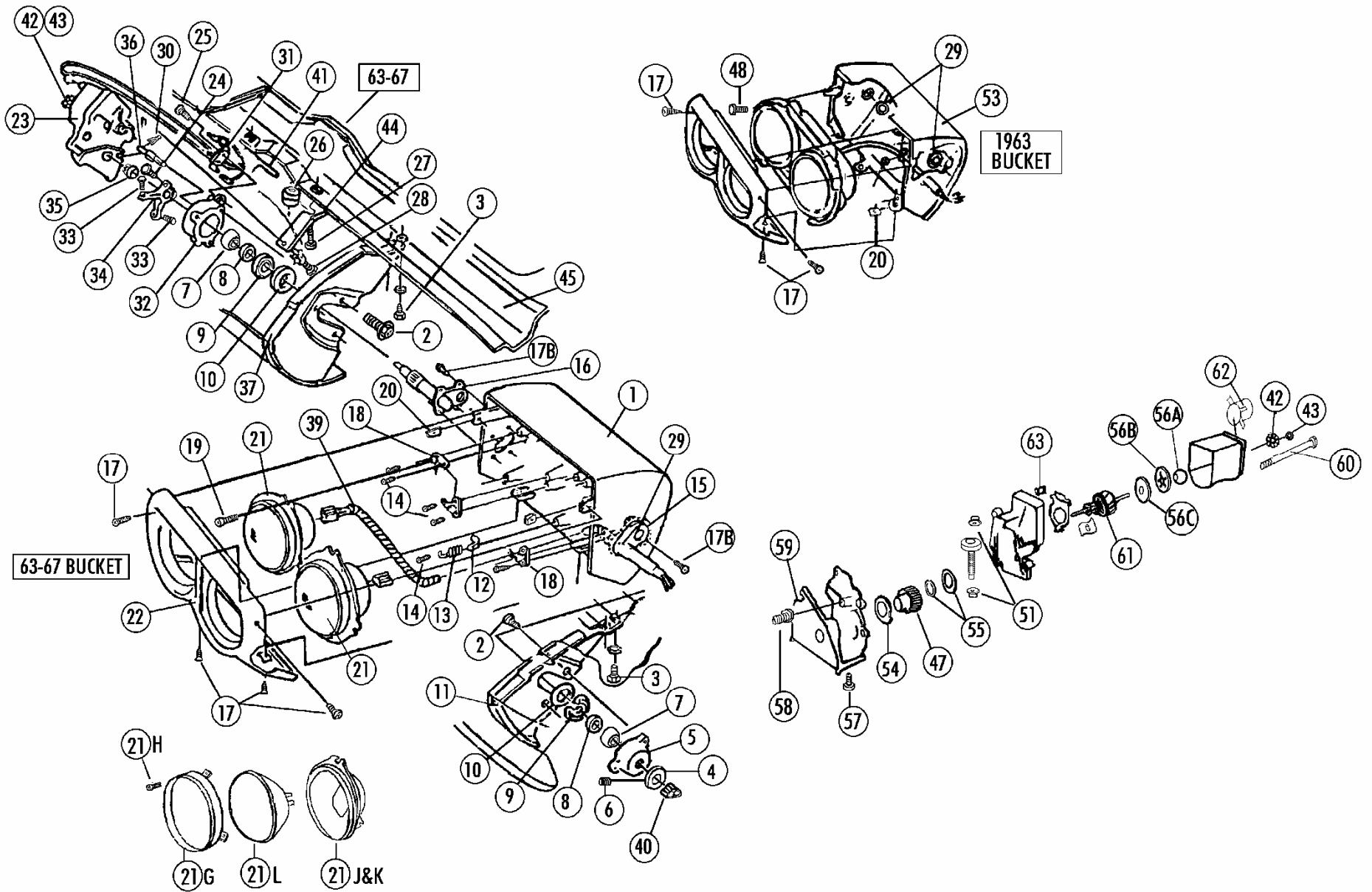


# Section 04 Headlights



## Section 04 Headlights

Sec-Part#	Name	Year #/Car	Price	Inc
04-01A	Housing LH _____	64-7 1	\$ 220.00	
04-01B	Housing RH _____	64-7 1	220.00	
04-02	Pod Screws (12) (B & H Headmark)_____	63-7 1 SET	12.50	SET
04-03	End Assembly Mounting Screws (8 Pc) _____	63-7 1 SET	6.00	SET
04-04	Spacer (end Collar)(includes Set Screw #4-06) _____	63-7 2	4.50	EACH
04-05	Outer Support _____	63-7 2	40.00	EACH
04-06	Set Screws (2 Pc)_____	63-7 1 PR	0.50	PAIR
04-07A	Bearing-brass & Steel- Gm Original Style _____	63-7 4	6.00	EACH
04-07B	Bearing-nylon Replacement _____	63-7 4	7.75	EACH
04-08	Felt Seals (4 Pc)_____	63-7 1 SET	4.00	SET
04-09	Rubber Retainer _____	63-7 4	2.00	EACH
04-10	Metal Washer _____	63-7 4	2.00	EACH
04-52▶	Set Of Felts,washers And Retainers(8,9,10)(4 Ea) _____	63-7 1 SET	17.00	SET
04-11A	End Assembly, Outer Lh _____	63-7 1	40.00	
04-11B	End Assembly, Outer Rh _____	63-7 1	40.00	
04-12	Insulators- Spring Retainers(4 Pc)_____	63-7 1 SET	5.00	SET
04-13	Headlight Bulb Springs (4 Pc) _____	63-7 1 SET	10.00	SET
04-14	Screws (20 Pc) (for Adj Bracket#18 & Insul #12) _____	64-7 1 SET	10.00	SET
04-15A	Pivot Outer Lh _____	64-7 1	40.00	
04-15B	Pivot Outer Rh _____	64-7 1	40.00	
04-16A	Pivot Inner Lh _____	64-7 1	65.00	
04-16B	Pivot Inner Rh _____	64-7 1	65.00	
04-17B	Screws-headlight Pivots (16 Pc)_____	64-7 1 SET	8.00	SET
04-17C	Screw Set-headlight Bezel (4 Short,4 Long)(<may) _____	63E 1 SET	3.00	SET
04-17D	Screw Set-headlight Bezel (8 Pc)(after April63) _____	63L 1 SET	2.00	SET
04-17E	Screw Set Headlight Bezel (8 Pc) _____	64-7 1 SET	3.00	SET
04-18▶	Plastic Adjuster Brackets & Screws(#19) (8+8) _____	63-7 1 SET	11.00	SET
04-19	Adjuster Screws (correct 1")(for 18)(8 Pc) _____	63-7 1 SET	5.00	SET
04-19B	Headlight Bulb Mounting Set (12,13,14,18) _____	64-7 1 SET	30.00	SET
04-20	J-nuts (4 Pc) (for 63 Order 2 Sets) _____	63-7 1 SET	1.00	SET
04-21A	Lamp Asm Lh Outer (not T-3) _____	63 1	36.00	
04-21B	Lamp Asm Rh Outer (not T-3) _____	63 1	36.00	
04-21C	Lamp Asm Lh Inner (not T-3) _____	63 1	36.00	
04-21D	Lamp Asm Rh Inner (not T-3) _____	63 1	36.00	
04-21E	Lamp Asm Lh & Rh Outer (dual)(not T-3)_____	64-7 2	36.00	EACH
04-21F	Lamp Asm Lh & Rh Inner (high)(not T-3)_____	64-7 2	36.00	EACH
04-21G	HI Bulb Retaining Ring _____	63-7 4	10.00	EACH
04-21H	HI Retaining Ring Screw (12 Pc) _____	63-7 SET	8.00	SET
04-21J	HI Bulb Rear Housing (inner/high) _____	64-7 2	17.00	EACH
04-21K	HI Bulb Rear Housing (outer/dual) _____	64-7 2	17.00	EACH
04-21L	T3 Bulb Set (2 High & 2 High-low) _____	60-7 1 SET	129.00	SET
04-21N ▶	Lamp Asm (t-3)(4 Bulbs With Housing,ring,screw) _____ (includes 2-21j, 2-21k, 1-21l, 4-21g, 1-21h)	64-7 1 SET	240.00	SET
04-22A	Bezel Lh _____	63-7 1	120.00	
04-22B	Bezel Rh _____	63-7 1	120.00	
04-23C	Headlight Motor- Lh (imported) _____	63-7 1	325.00	
04-23D	Headlight Motor- Rh (imported) _____	63-7 1	325.00	
04-24	Y Stop Mounting Screws (2 Pc) _____	63-7 1 SET	1.00	SET
04-25	Headlight Warning Switch Screws (set Of 4) _____	63-7 1 SET	2.00	SET

Sec-Part#	Name	Year #/Car	Price	Inc
04-50▶	HI Motor Mount Set (2 Ea #26,27,28,30,44) _____	63-7 1 SET	\$ 15.00	SET
04-26	Grommet Assembly _____	63-7 2	3.00	EACH
04-27	Grommet Mounting Screws (2 Pc) _____	63-7 1 SET	1.50	SET
04-28	Motor Bracket Ground Screws & Lw (2 Ea) _____	63-7 1 SET	1.00	SET
04-29	Bucket Hole Plugs (4 Pc) _____	63-7 1 SET	1.00	SET
04-30	Motor Retainer Clips (for Stud #36)(2 Pc) _____	63-7 1 SET	1.00	SET
04-25	Headlight Warning Switch Screws (set Of 4) _____	63-7 1 SET	2.00	SET
04-31	Headlight Warning Switch("lights")"limit Switch" _____	63-7 2	10.00	EACH
04-32A	Support Inner Lh _____	63-7 1	30.00	
04-32B	Support Inner Rh (NOS) _____	63-7 1	30.00	
04-33	Y Stop Screws (4) _____	63-7 1 SET	4.00	SET
04-34	Headlight Y Stop (aluminum) _____	63-7 2	30.00	EACH
04-35	Motor Bushings (2 Pc) _____	63-7 1 SET	2.00	SET
04-36	Head Light Motor Stud _____	63-7 2	5.00	EACH
04-37A	End Assembly, Inner Lh _____	63-7 1	40.00	
04-37B	End Assembly, Inner Rh _____	63-7 1	40.00	
04-39	Wire Assembly (see Sect 43-02j Or K) (see Sect 43 for all wiring) _			
04-40A	Headlight Extension Plugs (on Bucket)(2 Pc) _____	63-7 1 SET	2.00	SET
04-40B	Headlight Extension Plugs(on Main Harness)(2 Pc) _____	63-7 1 SET	2.00	SET
04-41	Wire Harnesses (see Sect 43) _____			
04-42	Headlight Motor Wheel (1) _____	63-7 2	6.00	EACH
04-43	Motor Wheel Retainers (2 Pc) _____	63-7 1 SET	1.00	SET
04-44	Motor Bracket _____	63-7 2	3.25	EACH
04-45	Header Bar With Bonding Strip (see 54-05d)			
04-46	Cable Clips On Header Bar (4 Pc) _____	63-7 1 SET	20.00	SET
04-47A	Headlight Motor Drive Gear (original Gm) _____	63-7 2	50.00	EACH
04-47R	Headlight Drive Gear (reproduction) _____	63-7 2	25.00	EACH
04-48	Headlight Pod Screws (8 Pc) _____	63E 1 SET	4.00	SET
04-49	Headlight Motor Plug (2) _____	63-7 1 PR	5.00	PAIR
04-50▶	HI Motor Mount Set (2 Ea #26,27,28,30,44) _____	63-7 1 SET	15.00	SET
04-51	HI Motor Gear "top Hat" Bushings (1 Pr) _____	63-7 2 PR	5.00	PAIR
04-52▶	Set Of Felts,washers And Retainers(8,9,10)(4 Ea) _____	63-7 1 SET	17.00	SET
04-53A	Headlight Bucket Fiberglass Skin (lh) _____	63 1	85.00	
04-53B	Headlight Bucket Fiberglass Skin (rh) _____	63 1	85.00	
04-54	Nylon Washer In Headlight Motor For Drive Gear _____	63-7 2	4.00	EACH
04-55	Hard Steel Washers In Hdlt Motor For Drive Gear- _____ (1 Curved, 1 Flat)(pr)	63-7 2 PR	4.00	PAIR
04-56A	Headlight Motor Bronze Bearing _____	63-7 2	7.00	EACH
04-56B	Headlight Motor Bearing Retainer Spring _____	63-7 2	7.00	EACH
04-56C	Retainer For Headlight Motor Bearing Spring _____	63-7 2	6.00	EACH
04-57	Headlight Motor Aluminum Bracket Screws (4) _____	63-7 1 SET	3.00	SET
04-58	Hlight Motor Armature Adjusting Stud & Nut _____	63-7 2	6.00	EACH
04-59A	Front Bracket- Headlight Motor (lh) _____	63-7 1	50.00	
04-59B	Front Bracket- Headlight Motor (rh) _____	63-7 1	50.00	
04-60	Long Bolt For Motor To Gear Box _____	63-7 4	4.00	EACH
04-61	Armature For HI Motor (not Returnable) _____	63-7 2	80.00	EACH
04-62	HI Motor Plug Socket (white) _____	63-7 2	20.00	EACH
04-63	Headlight Motor Brushes (1 Pr) _____	63-7 2 PR	25.00	PAIR

#Needed Column Shows: " Number Needed Per Car "

If It Says 2 In This Column

- You Need To Enter 2 In Qty Column On Order Form To Get 2 – Lh= Driver's Side